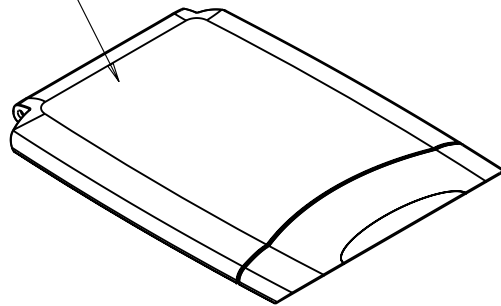
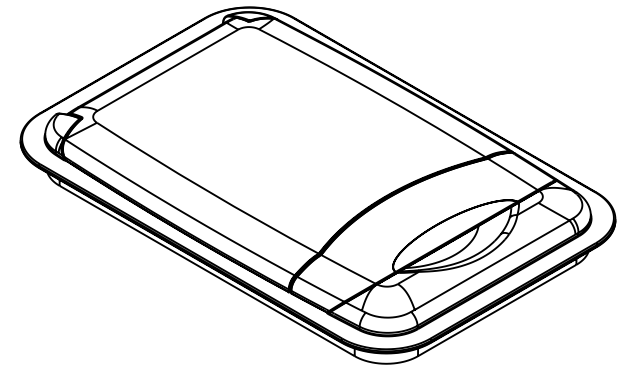
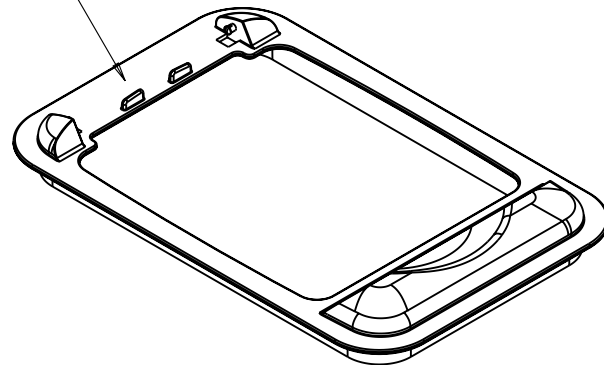


LID-ROTATED-35



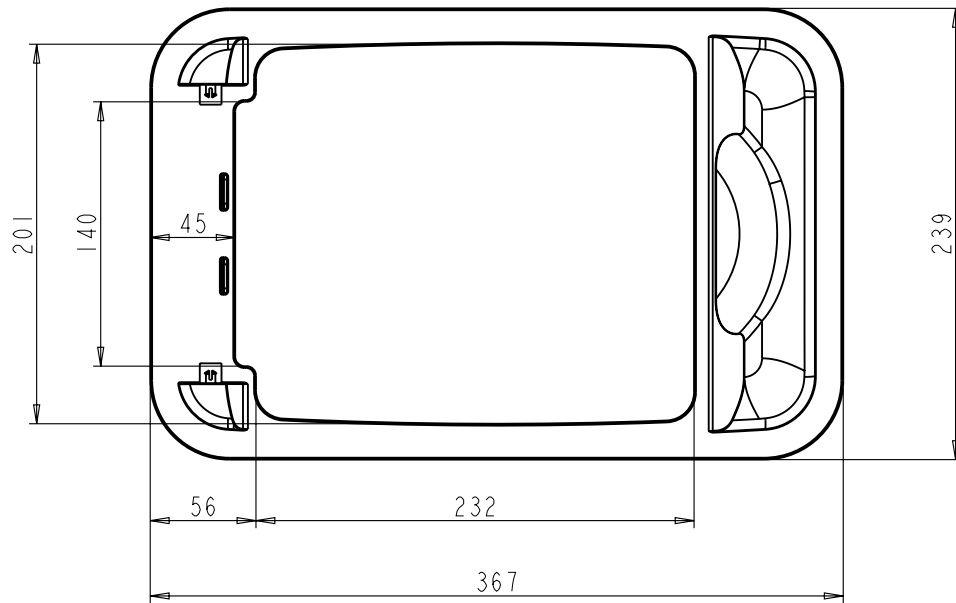
LID-FIXED-35



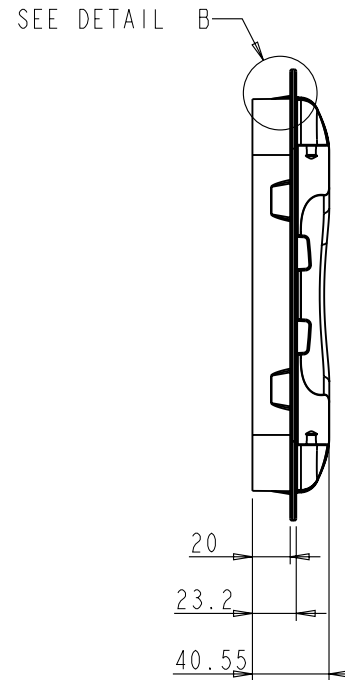
ASSEMBLY STATUS

EXPLODED STATUS

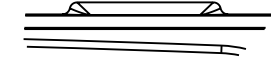
hardware resources	ITEM#: LID-35		MATERIAL:		
	FINISH:		WEIGHT: 9		
PROPRIETARY AND CONFIDENTIAL THE INFORMATION CONTAINED IN THIS DRAWING IS THE SOLE PROPERTY OF HARDWARE RESOURCES INC. ANY REPRODUCTION IN PART OR AS A WHOLE WITHOUT THE WRITTEN PERMISSION OF HARDWARE RESOURCES INC. IS PROHIBITED.	TOLERANCE UNLESS OTHERWISE SPECIFIED: X: MM ±0.20 X.X: MM ±0.10 X.XX: MM ±0.05 ANGULAR: ±0.5° DO NOT SCALE DRAWING		UNIT:	DRAWN BY: <i>alan.liu</i>	DATE:
	SIZE:	CHECKED BY:	DATE:		
	APPROVED BY:		DATE:		
	PROJECTION:				



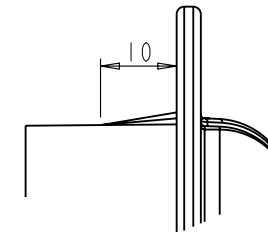
TOP VIEW



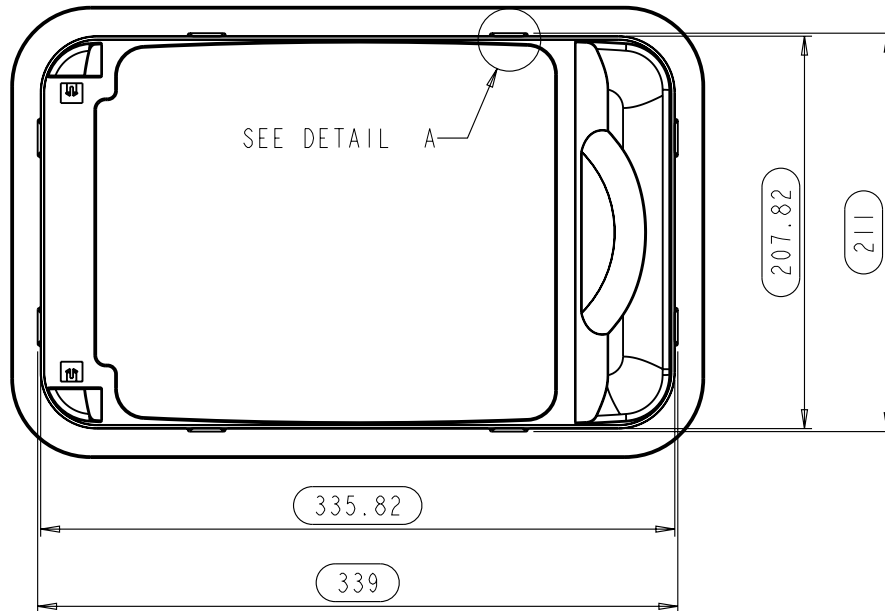
SIDE VIEW



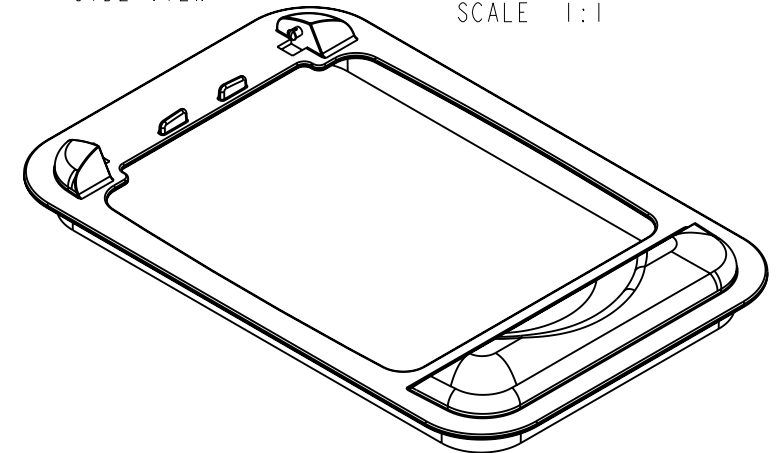
DETAIL A
SCALE 1:1



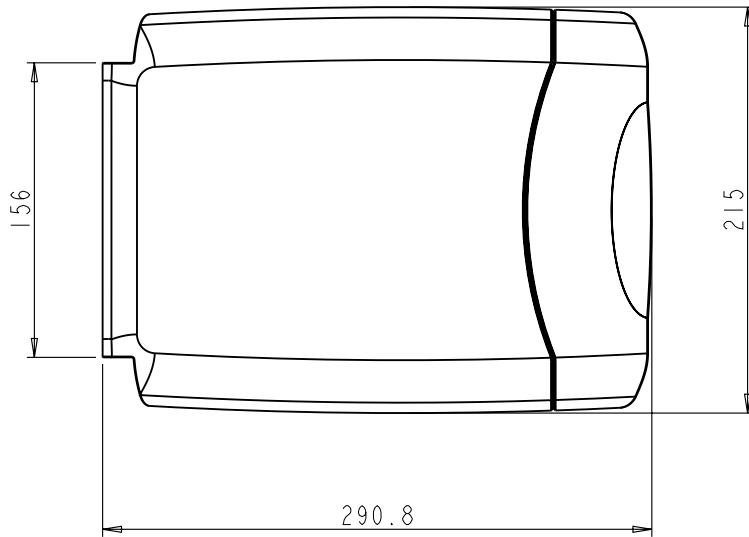
DETAIL B
SCALE 1:1



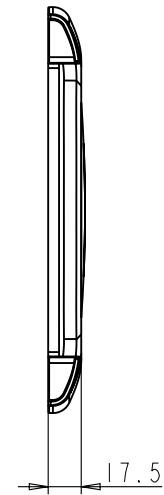
BOTTOM VIEW



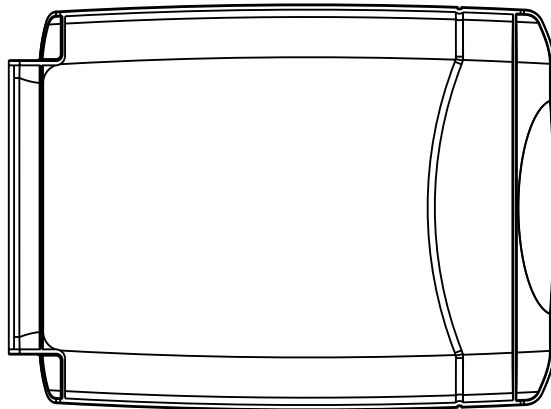
	ITEM:	LID-FIXED-35		MATERIAL:	PP
	FINISH:			WEIGHT:	168.10 g
PROPRIETARY AND CONFIDENTIAL THE INFORMATION CONTAINED IN THIS DRAWING IS THE SOLE PROPERTY OF HARDWARE RESOURCES INC. ANY REPRODUCTION IN PART OR AS A WHOLE WITHOUT THE WRITTEN PERMISSION OF HARDWARE RESOURCES INC. IS PROHIBITED.	TOLERANCE UNLESS OTHERWISE SPECIFIED:	UNIT:	DRAWN BY:	DATE:	
	X: MM ±0.20	MM	<i>alan.liu</i>		
	X.X: MM ±0.10	SIZE:	CHECKED BY:	DATE:	
	X.XX: MM ±0.05		APPROVED BY:	DATE:	
	ANGULAR: ±0.5°				
	DO NOT SCALE DRAWING				



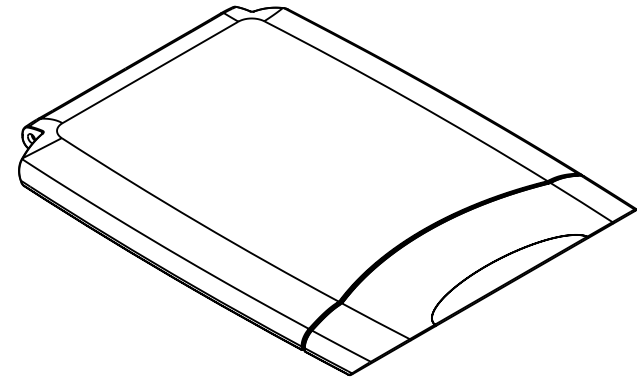
TOP VIEW



SIDE VIEW



BOTTOM VIEW



	ITEM: LID-ROTATED-35		MATERIAL: PP			
	FINISH:		WEIGHT: 174.00 g			
PROPRIETARY AND CONFIDENTIAL THE INFORMATION CONTAINED IN THIS DRAWING IS THE SOLE PROPERTY OF HARDWARE RESOURCES INC. ANY REPRODUCTION IN PART OR AS A WHOLE WITHOUT THE WRITTEN PERMISSION OF HARDWARE RESOURCES INC. IS PROHIBITED.	TOLERANCE UNLESS OTHERWISE SPECIFIED: X: MM ±0.20 XX: MM ±0.10 XXX: MM ±0.05 ANGULAR: ±0.5° DO NOT SCALE DRAWING		UNIT: MM SIZE:	DRAWN BY: <i>alan.liu</i> CHECKED BY:	DATE:	
				APPROVED BY:	DATE:	